

enteliBRIDGE™

enteliBRIDGE Gateway

Description

The enteliBRIDGE™ gateway is a powerful network protocol application that integrates 1 or more non-BACnet building control protocols to your BACnet® building automation system.

The enteliBRIDGE product is based on the enteliCORE® hardware platform that includes a Delta BACnet server. The enteliCORE is an industrial-embedded PC with dual-core processor and no moving parts.

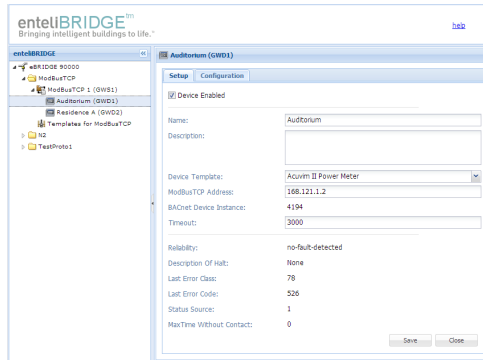


Features

- ▶ Built-in web user interface for configuration and backup through XML files
- ▶ Supports up to 10 protocol drivers running simultaneously
- ▶ Native BACnet device
- ▶ Firmware auto-update capability
- ▶ Internal local data storage using the 60 GB solid-state hard drive
- ▶ Streamlined engineering workflow
- ▶ Provides Ethernet/IP, RS-485 and RS-232 network connections
- ▶ DIN rail mountable

The enteliBRIDGE embedded web server offers a user-friendly experience; from initial configuration and engineering to status and diagnostic information.

If the protocol supports advanced queries, the gateway environment allows protocol drivers to auto-map data from the selected protocol. Common device mapping formats can be applied to multiple devices of the same type.



Specifications

BACnet Protocols
BACnet/IP
BACnet Ethernet

Mounting
35 mm horizontal DIN rail
Flat surface mounted with included rubber feet

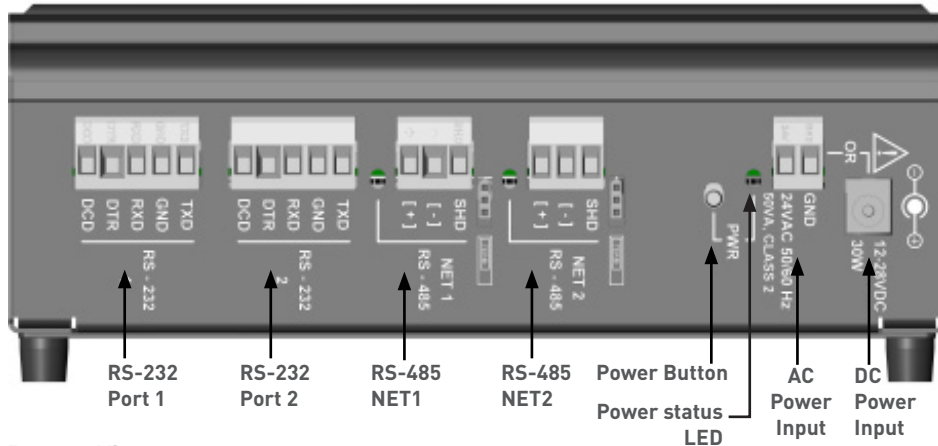
Connectors
Removable terminal connectors

Wiring Class
NEC Class 2

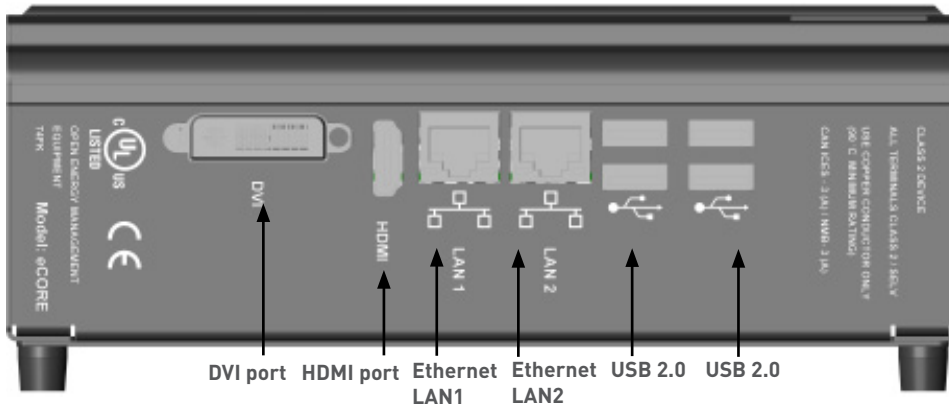
enteliBRIDGE™

Product Diagram

Top View



Bottom View



Note: The DVI and HDMI ports are not supported or used by the enteliBRIDGE gateway.

Application

The enteliBRIDGE gateway allows BACnet and non-BACnet devices to communicate seamlessly within a BACnet environment. Non-BACnet devices are represented as virtual BACnet devices that provide control data directly to BACnet controllers.

Number of points and installed protocols can be field upgraded to accommodate the changing needs of the site.

Ordering

Order the enteliBRIDGE gateway according to the following product numbers:

301051	enteliBRIDGE gateway
--------	----------------------

Accessories

194302	12VDC 30W power supply for North America
194301	12VDC 30W power supply for Europe

Specifications (Continued)

Power

24 VAC, 50 VA
12-28VDC, 30W

Technology

Intel® Atom™ D2550
dual-core processor (1MB cache, 1.86GHz)
2 GB SDRAM
64-bit operating system

Communication Ports

2 Gigabit Ethernet
2 RS-485 (3-pin)
2 RS-232 (5-pin)
4 USB 2.0, maximum 500mA each

Ambient

0°-55°C (32°-131°F)
10-95% RH (non-condensing)

Dimensions

7.6 x 5.3 x 2.7 in. (192 x 135 x 68 mm)

Weight

2.49 lb. (1.13kg)

Compliance

CE
FCC CAN ICES-3(A) / NMB-3(A)

Listings

C-UL Listed
UL 916 Listed
(UL listings based on enteliCORE)

enteliBRIDGE and enteliCORE are registered trademarks of Delta Controls Inc.
Intel Atom is a registered trademark of Intel Corporation.
BACnet is a registered trademark of the American Society of Heating, Refrigerating and Air-Conditioning Engineers, Inc.

Published June 2015

Subject to change without notice.